



10th European LS-DYNA Conference – 15. - 17.6.2015.

USAGE OF LS-DYNA IN METAL FORMING.

**DR. M. FLEISCHER, A. LIPP, DR. J. MEINHARDT, DR. P. HIPPCHEIN,
DR. I. HEINLE, A. ICKES, T. SENNER**

**BMW
GROUP**



TABLE OF CONTENTS.

- Introduction.
- Forming simulation at BMW – State of the art.
- Limiting factors for the current simulation systems.
- Summary of current use of LS-DYNA.
- Future challenges.

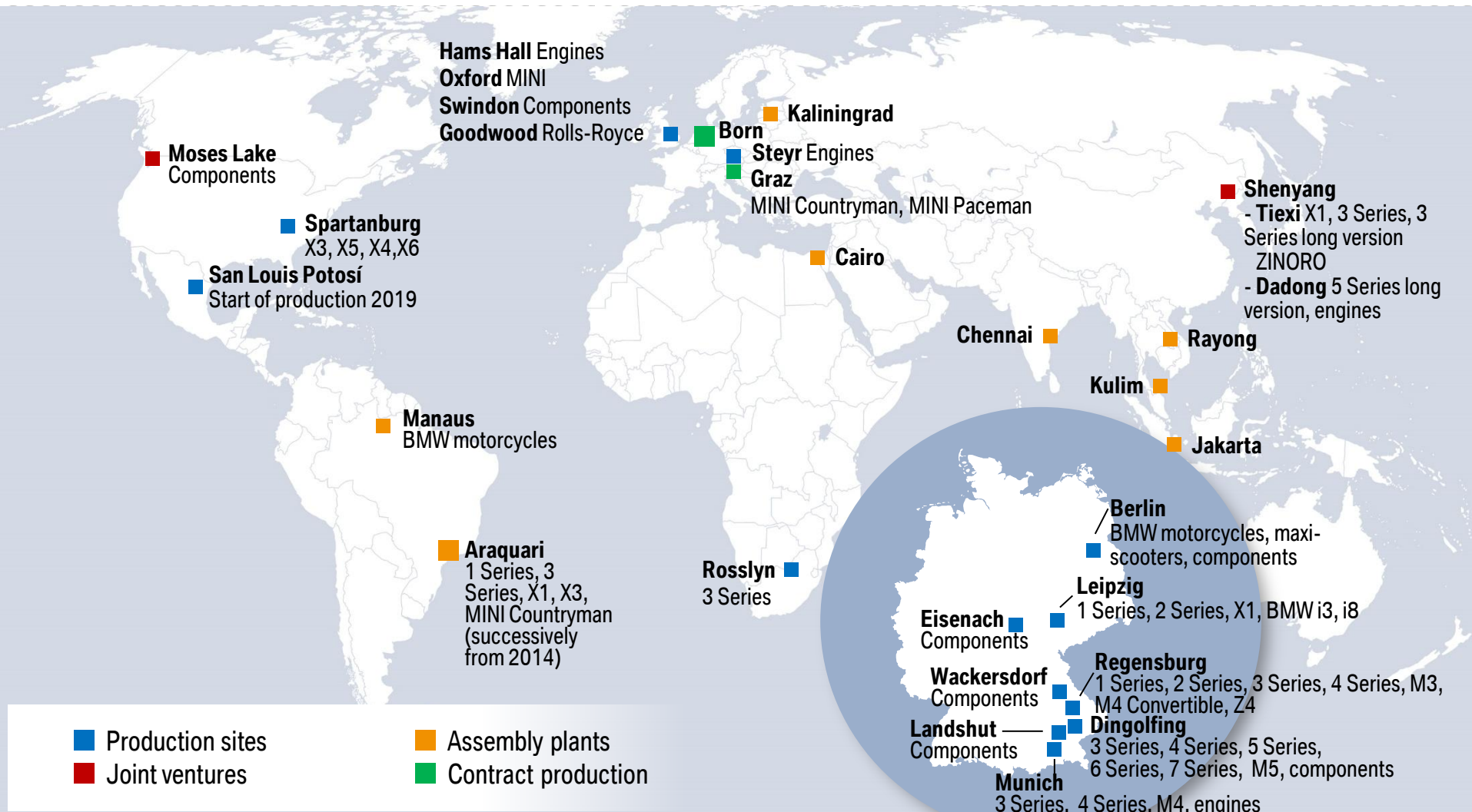


TABLE OF CONTENTS.

- Introduction.
- Forming simulation at BMW – State of the art.
- Limiting factors for the current simulation systems.
- Summary of current use of LS-DYNA.
- Future challenges.



INTRODUCTION. BMW GROUP PRODUCTION NETWORK.



INTRODUCTION. TOOL SHOPS OF THE BMW GROUP.



Eisenach – Tool shop:
Process design.
Tool Construction.
Tool Production.

Dingolfing - Tool shop:
Process design.
Tool Construction.
Tool Production.
Support for Production.

Munich – Tool shop:
Tool Construction.
Tool Production.
Support for Production.

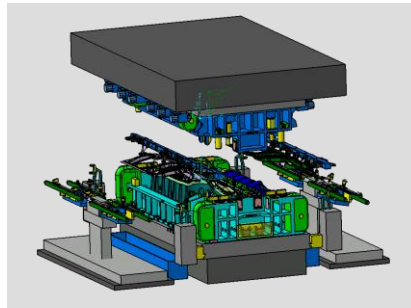
Munich - FIZ-Network:
Concept of Production.
Tool Development.
Tool Construction.
Process validation.

INTRODUCTION. FROM DESIGN TO TOOL AND PRESS.

– Car design.



– Process layout.



– Production of parts.

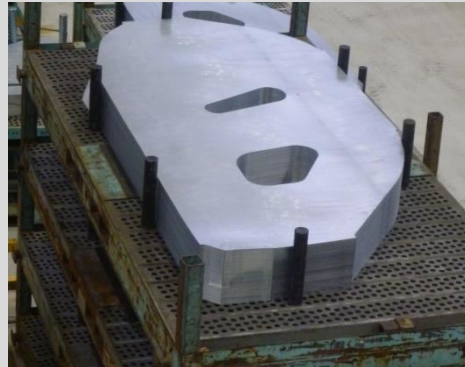


INTRODUCTION. PRESS SHOP.

– Raw material.



– Coil-cut.



– Press line.



– Forming tool.



INTRODUCTION. PRESS SHOP.

Exemplary setup of a forming tool of a hood-inner.

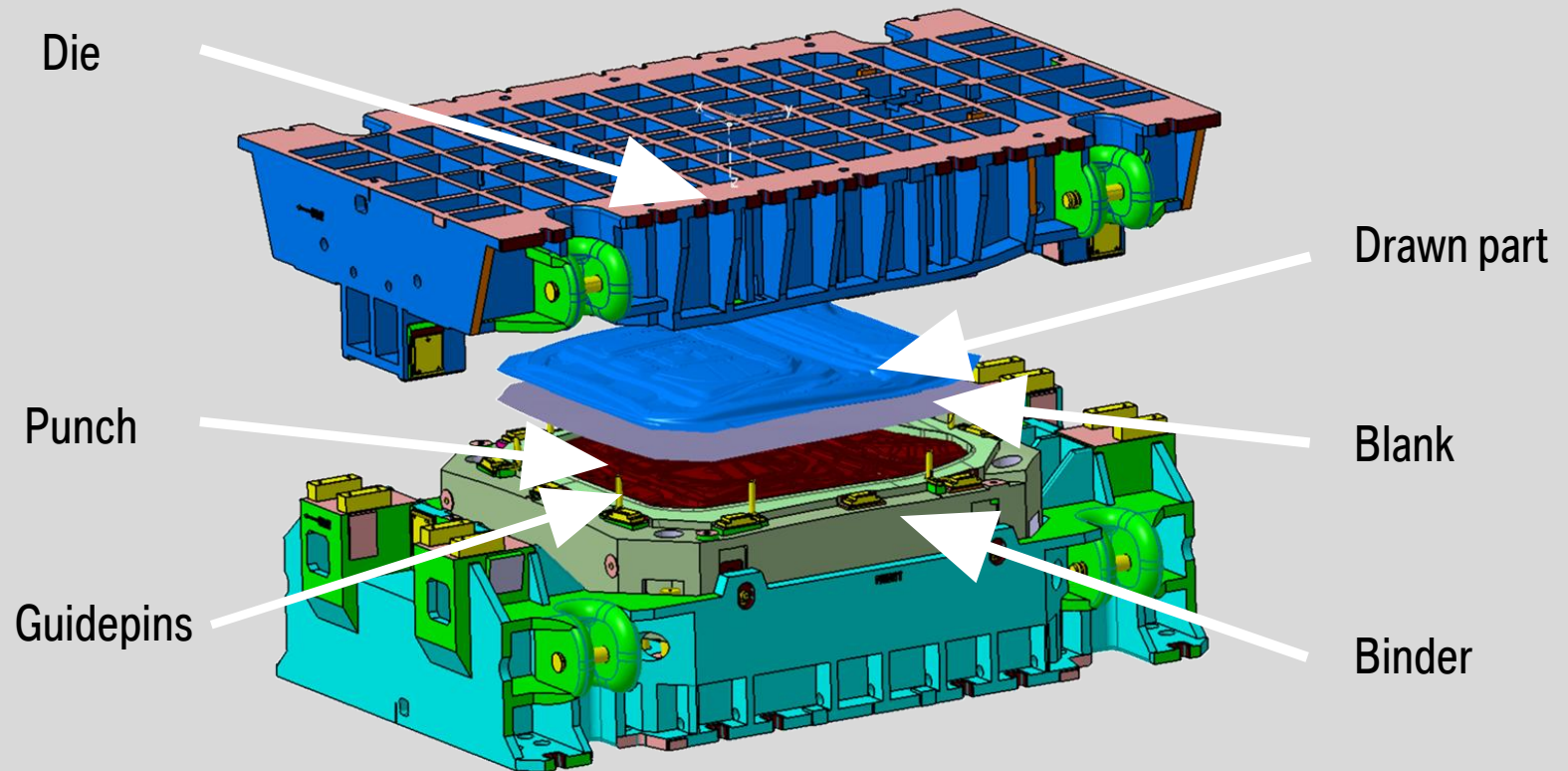
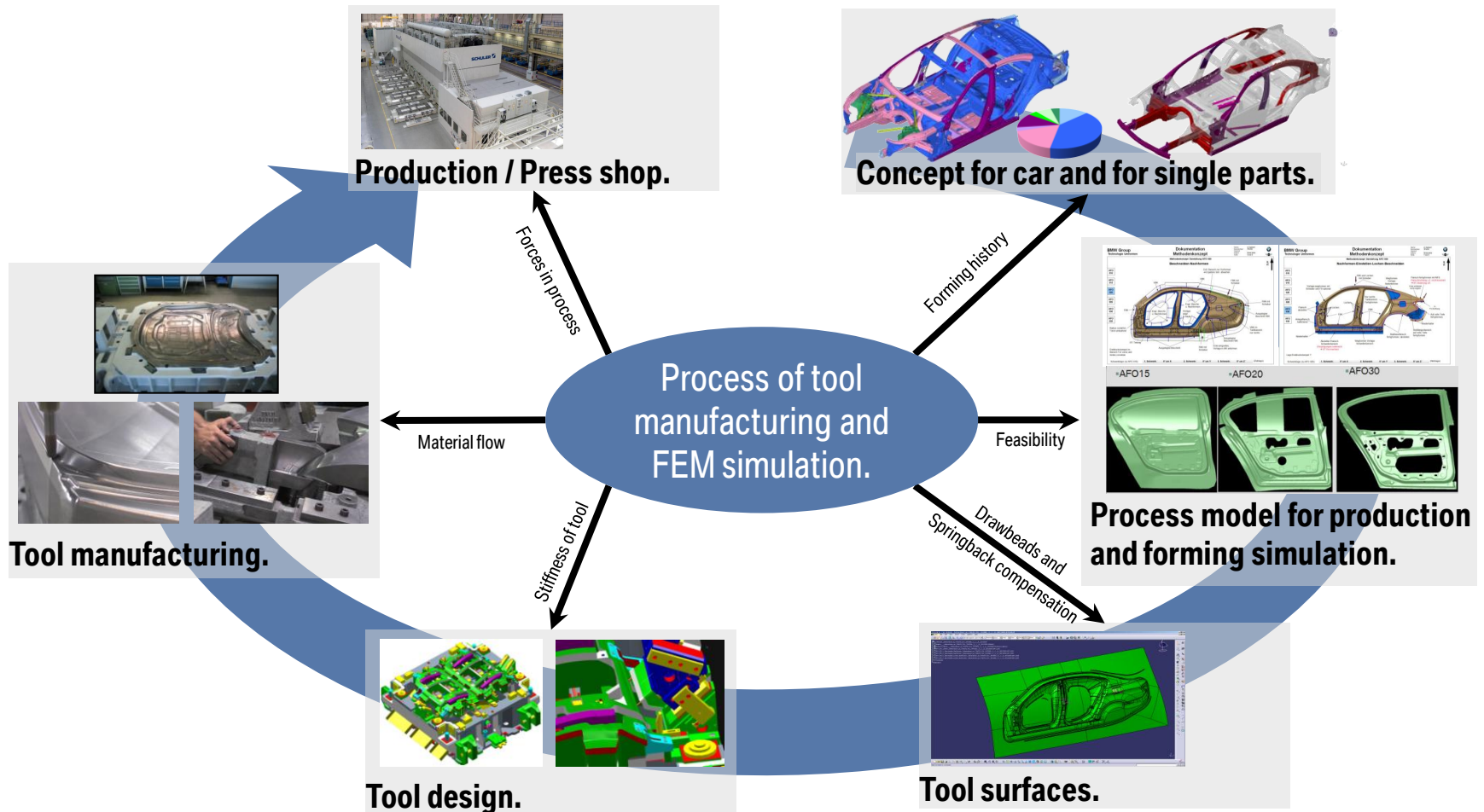


TABLE OF CONTENTS.

- Introduction.
- Forming simulation at BMW – State of the art.
- Limiting factors for the current simulation systems.
- Summary of current use of LS-DYNA.
- Future challenges.

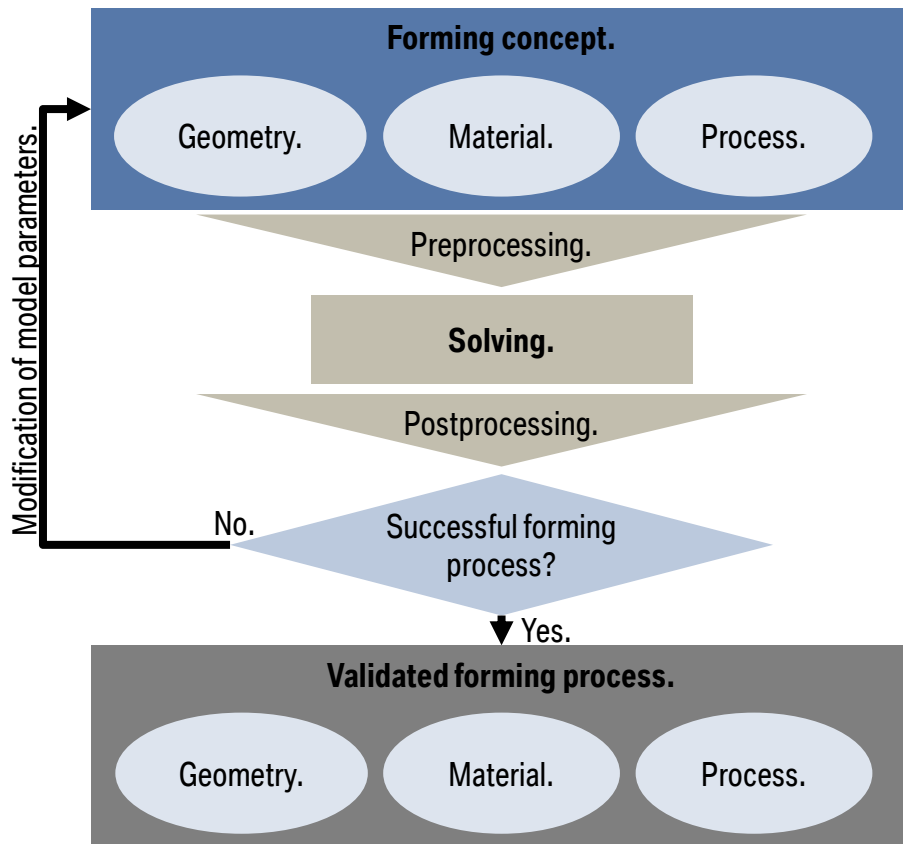


FORMING SIMULATION AT BMW – STATE OF THE ART. APPLICATION OF SIMULATION IN THE TOOL DEVELOPMENT PROCESS.

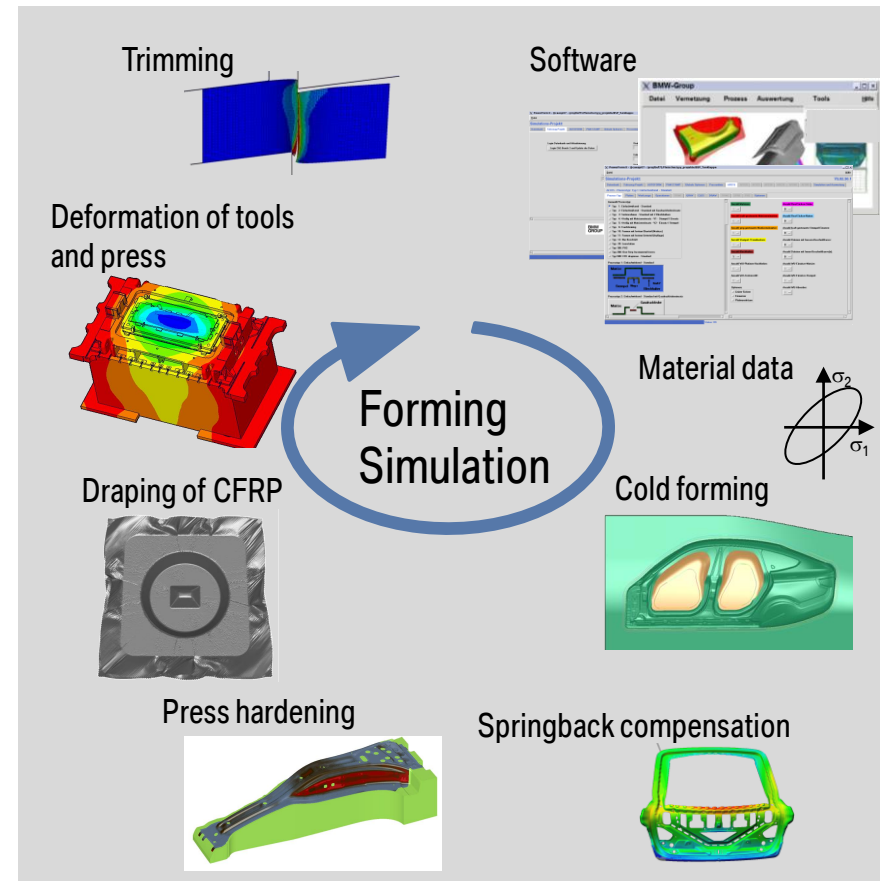


FORMING SIMULATION AT BMW – STATE OF THE ART. SOFTWARE CONCEPT.

– Modular setup of the processes.

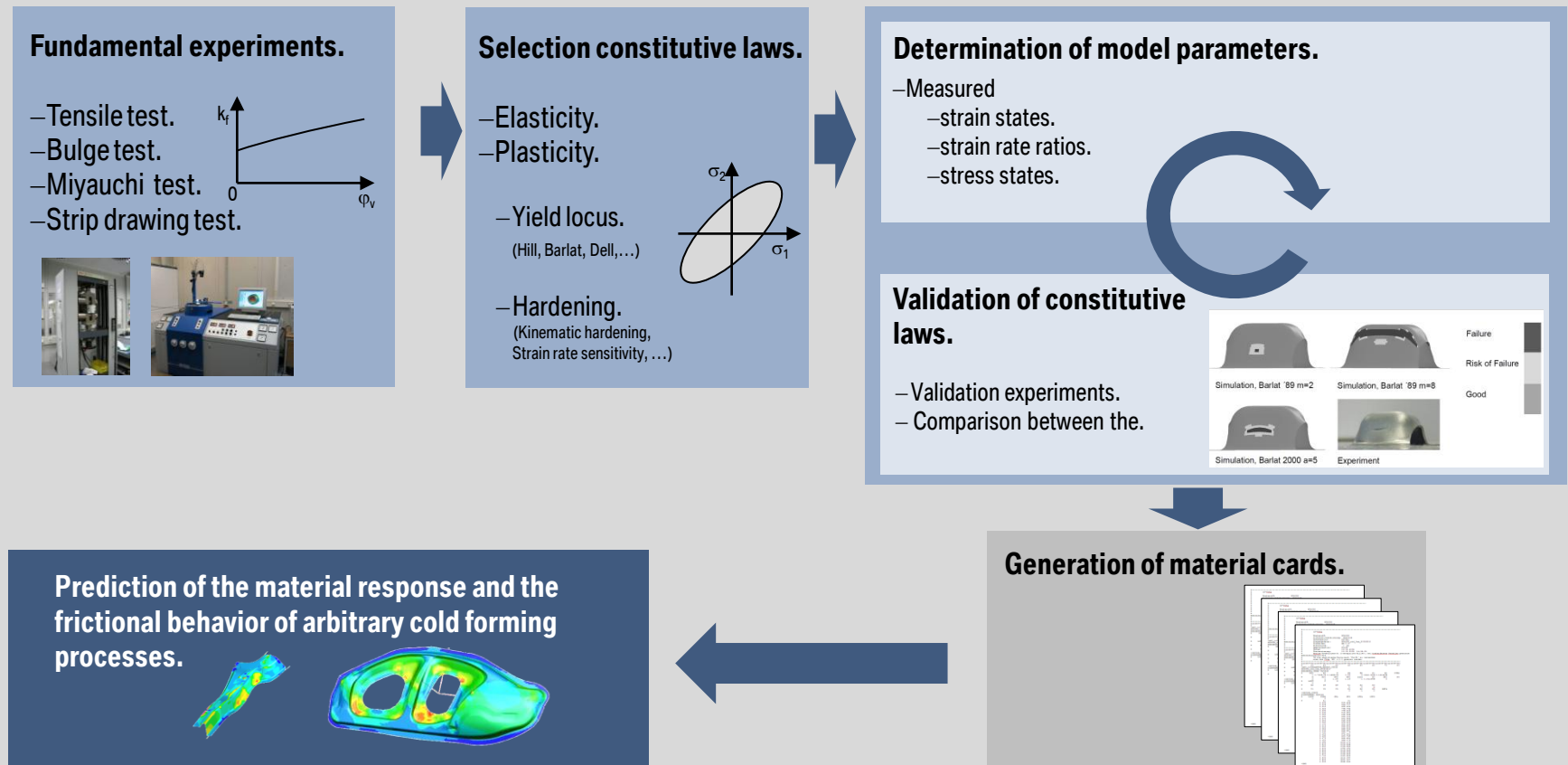


– Application of forming simulation.



FORMING SIMULATION AT BMW – STATE OF THE ART. DETERMINATION OF MATERIAL PARAMETERS.

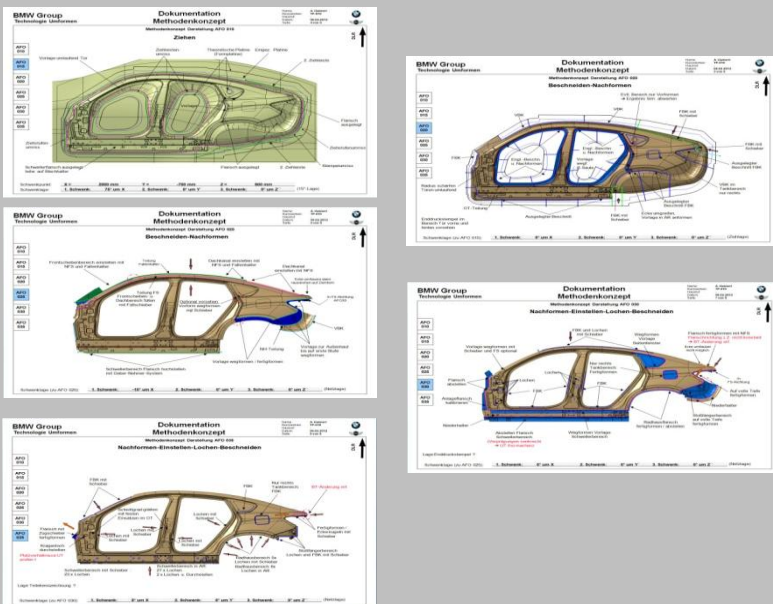
Generation of material cards: Selection of the used material model and definition of the model parameters.



FORMING SIMULATION AT BMW – STATE OF THE ART. COLD FORMING.

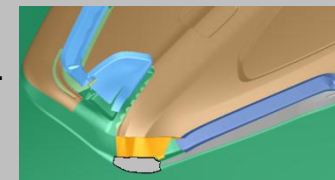
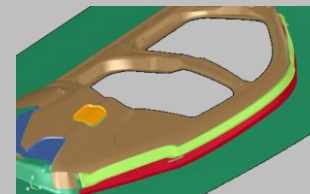
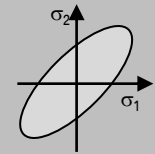
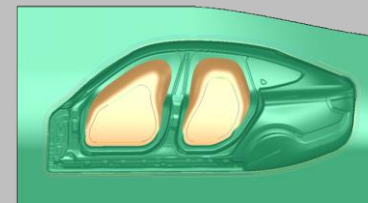
Design of production and cold forming simulation.

2D process plan.

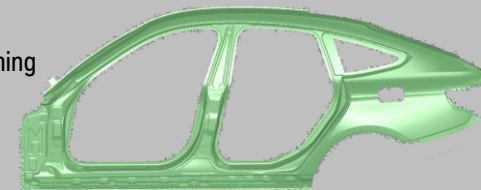


Simulation model.

OP1 - Drawing

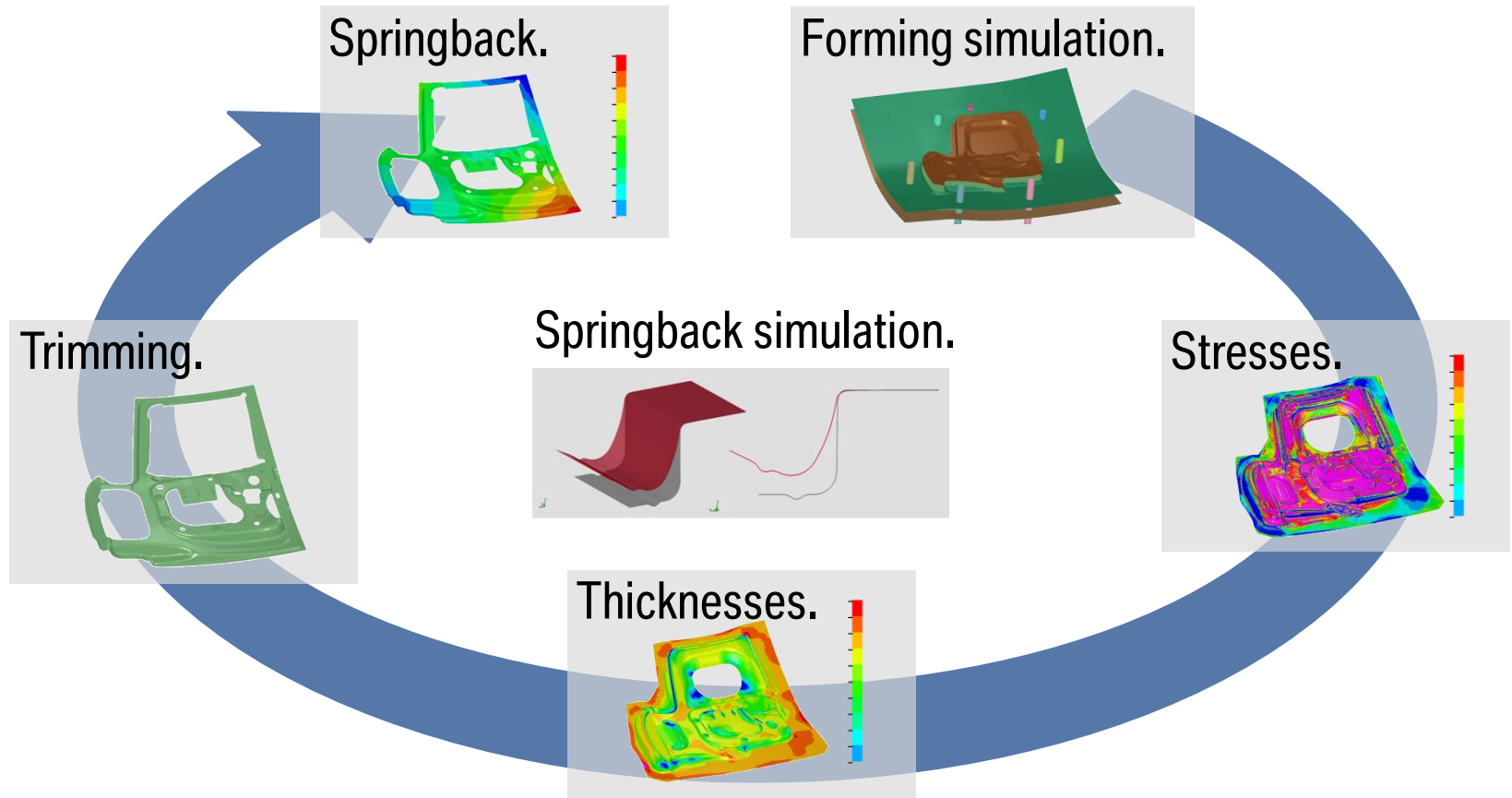


OP5 – Final forming



FORMING SIMULATION AT BMW – STATE OF THE ART. SPRINGBACK COMPENSATION.

From forming simulation to springback.



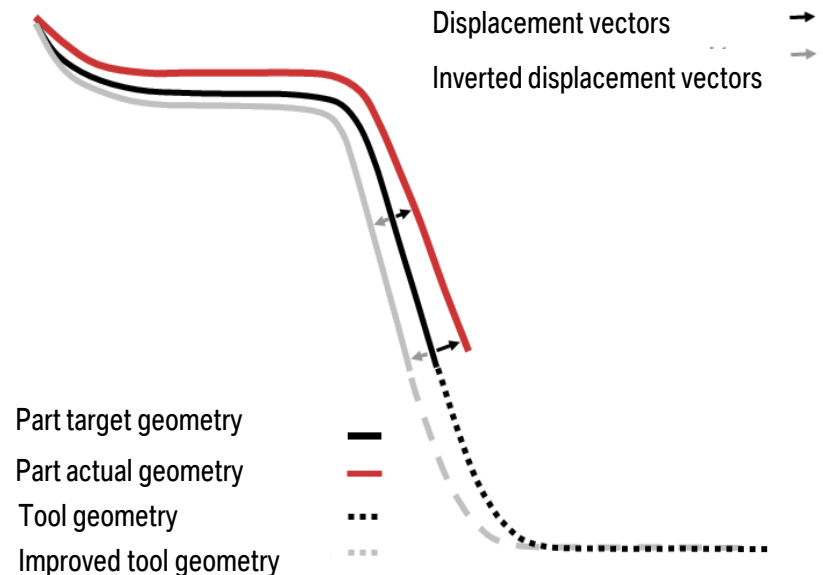
FORMING SIMULATION AT BMW – STATE OF THE ART. SPRINGBACK COMPENSATION.

Tool surfaces are modified within the springback compensation process based on simulated or measured data.

–Elastic springback.



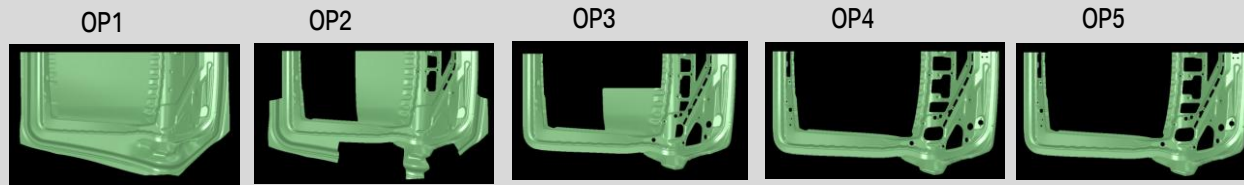
–Basic concept of springback compensation.



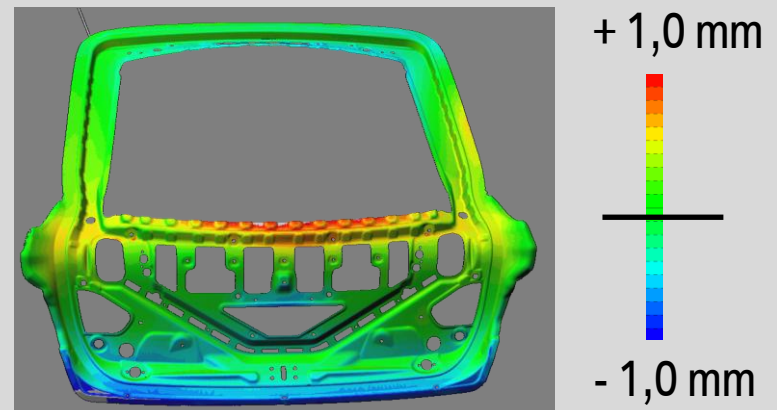
FORMING SIMULATION AT BMW – STATE OF THE ART. SPRINGBACK COMPENSATION.

Example: 3 Series Gran Turismo - trunk lid inner- prototype.

- Numerical representation of the production process.

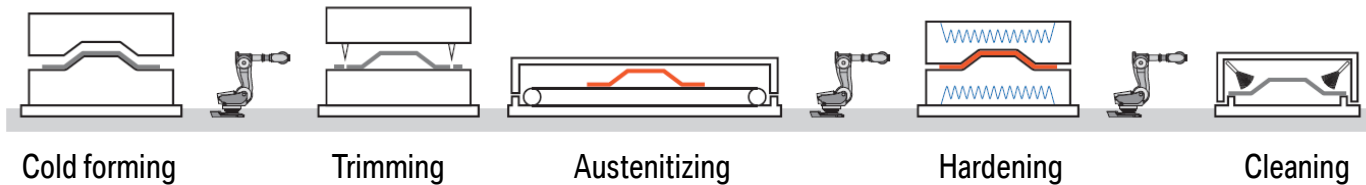


- Springback compensation of the tool surfaces.
- Springback result of the final physical part.
 - ➔ Measured data vs. simulated data.



FORMING SIMULATION AT BMW – STATE OF THE ART. INDIRECT PRESS HARDENING.

Process consisting of multi stage cold forming followed by heat treatment of the trimmed cold formed part.

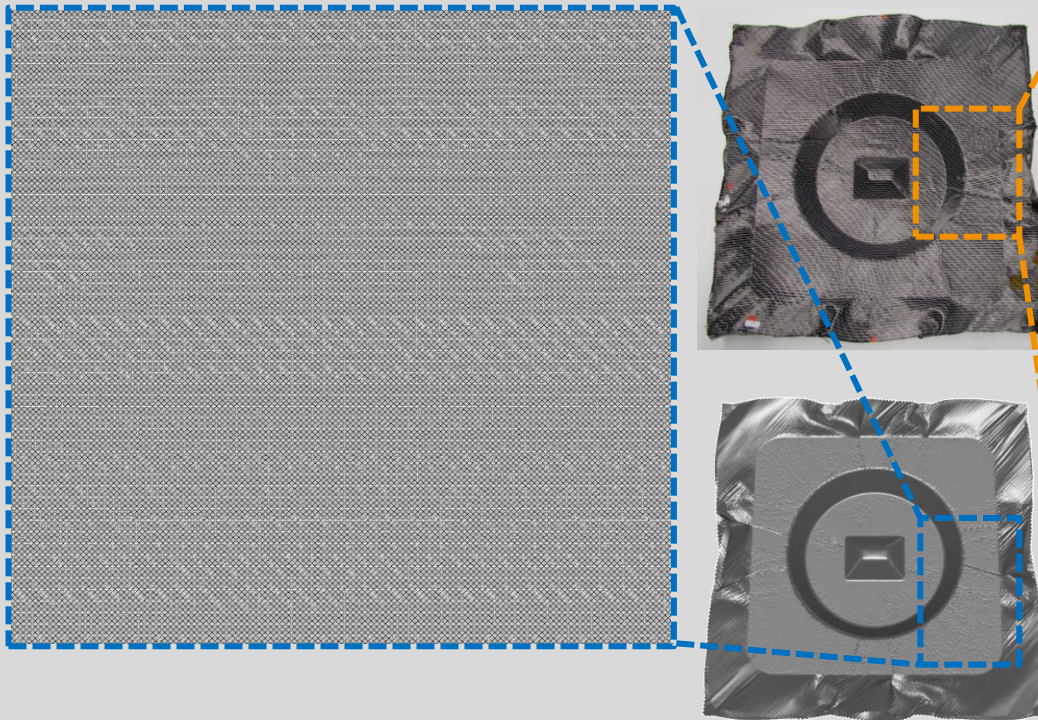


- Objectives:
 - Tailoring the strength of the part.
 - Geometrically accurate parts made from press hardened steel with complex geometry.

FORMING SIMULATION AT BMW – STATE OF THE ART. DRAPING OF CARBON FIBER REINFORCED PLASTICS.

Challenging example geometry.

– Simulation.



– Experiment.



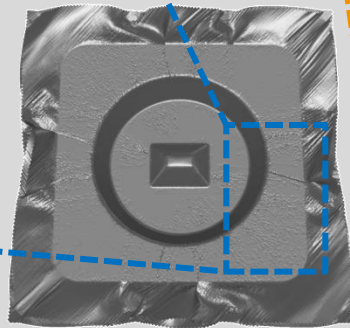
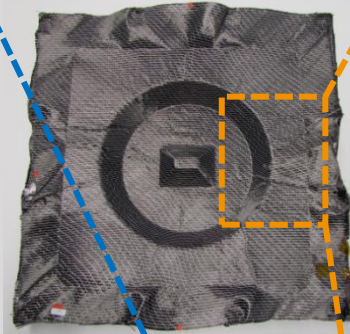
FORMING SIMULATION AT BMW – STATE OF THE ART. DRAPING OF CARBON FIBER REINFORCED PLASTICS.

Challenging example geometry.

– Simulation.



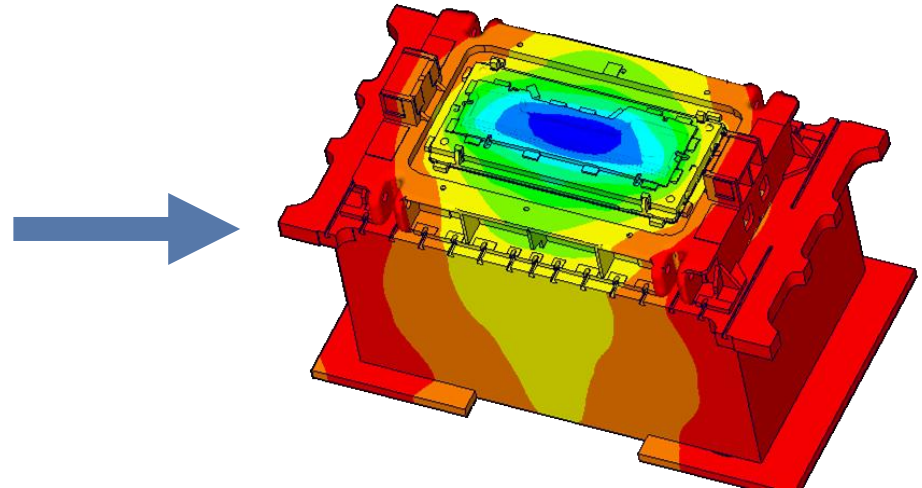
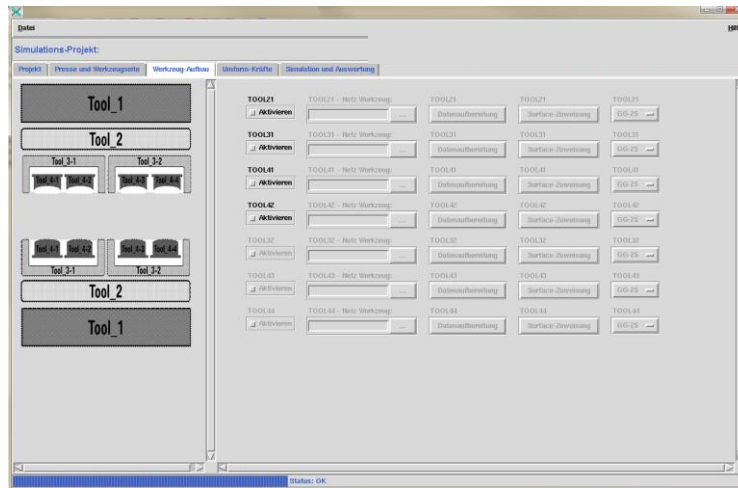
– Experiment.



⇒ Numerical prediction of wrinkles matches experimental results.

FORMING SIMULATION AT BMW – STATE OF THE ART. DEFORMATION OF TOOL AND PRESS.

Simulation enables compensation and optimizations of the tool surfaces.



- Process modeling.
 - Tools (solids), drawn part from forming simulation, etc.
 - Process setup with BMW in-house software system.

FORMING SIMULATION AT BMW – STATE OF THE ART. TRIMMING OF THIN SHEET METAL.

– Objectives:

- Strength and stiffness optimization of the trim steels.
- Prediction of edge fracture during restriking.

– Modeling:

- Employing enhanced material cards and fracture models.
- Employing volume elements (plain stress would be an invalid assumption).

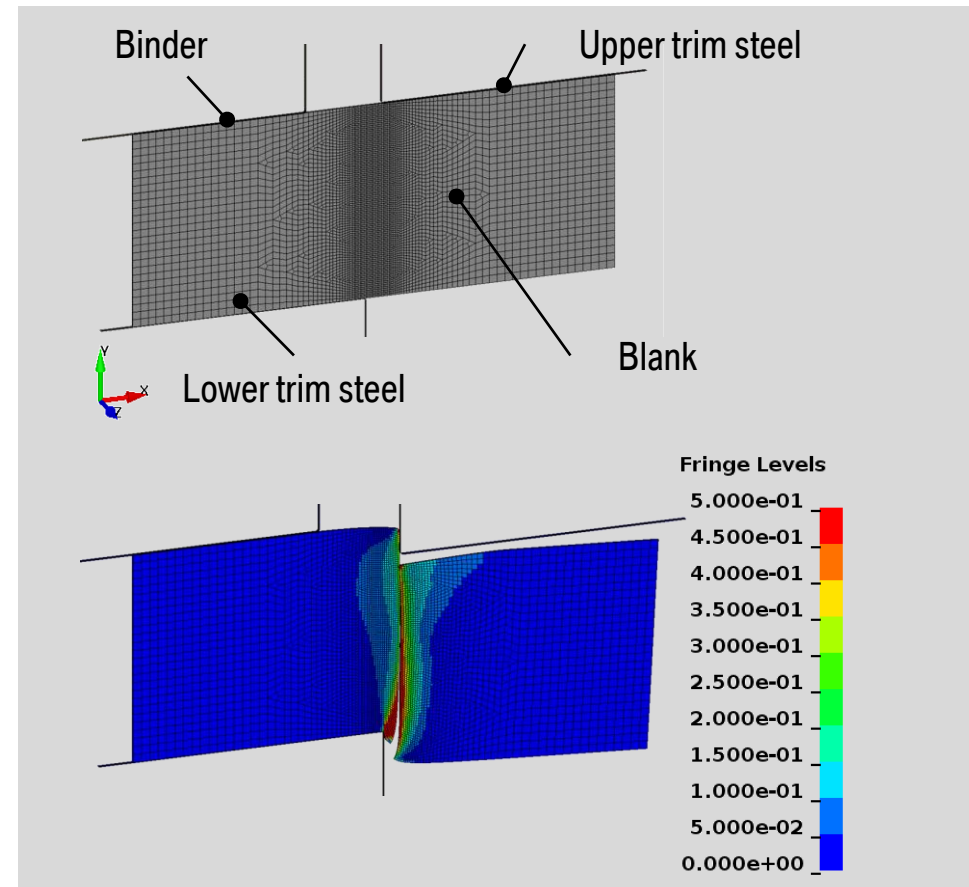


TABLE OF CONTENTS.

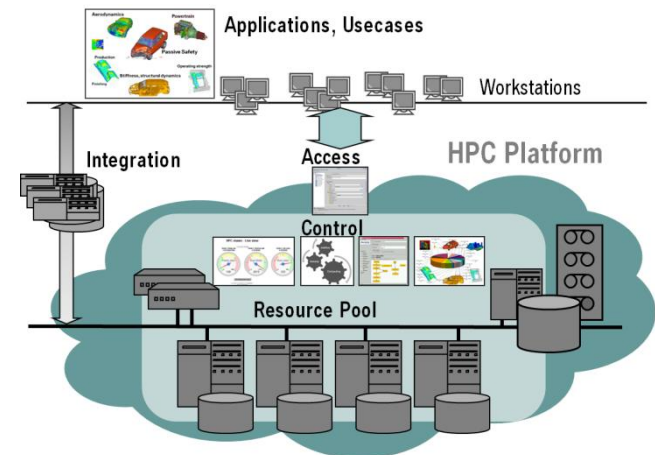
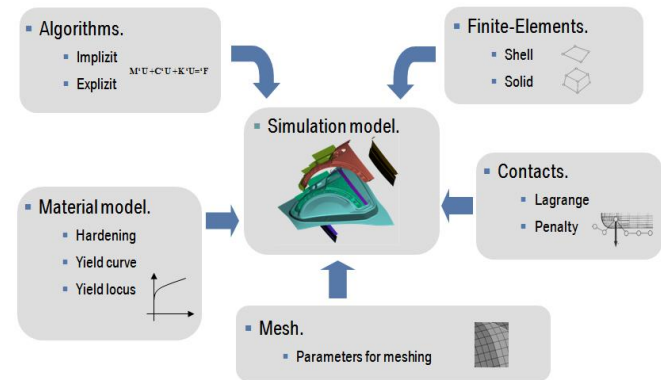
- Introduction.
- Forming simulation at BMW – State of the art.
- Limiting factors for the current simulation systems.
- Summary of current use of LS-DYNA.
- Future challenges.



LIMITING FACTORS FOR THE CURRENT SIMULATION SYSTEMS. SOLVER AND INFRASTRUCTURE.

- Limits of solver and numerical modeling.
 - Number of degrees of freedom.
 - Element formulation.
 - Kinematic of press and tool systems.

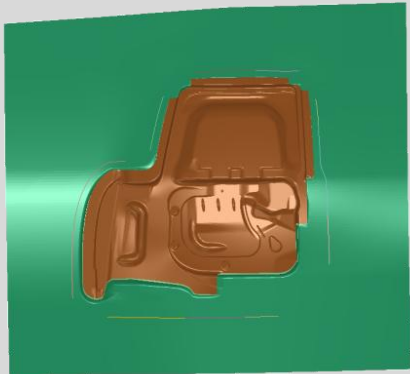
- Limits of computer-hardware.
 - CPUs.
 - Cores / Clock frequency → Cost.
 - 32- vs. 64-Bit – Single- vs. DoublePrecision.
 - Main Memory - RAM.
 - Connectivity between the cluster nodes.



LIMITING FACTORS FOR THE CURRENT SIMULATION SYSTEMS. EXAMPLES FROM ENGINEERING PROCESS.

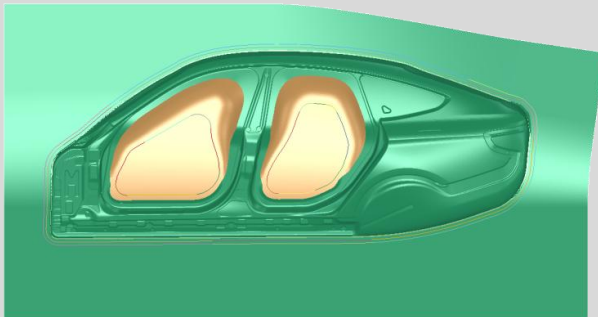
Simulation of large models – daily engineering.

- Mini Clubman – Door Inner: Simulation with line beads (Initial design).



- Number of elements: ~ 600.000
- Element size: 1,2 mm
- Computational time: 32CPUs: ~ 1,1 h

- 3 Series Gran Turismo – Side frame: Simulation with line beads (Initial design).

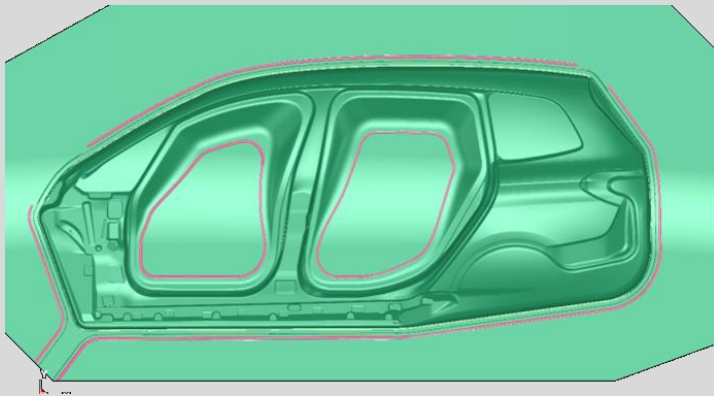


- Number of elements: ~ 2.400.000
- Element size: 1,4 mm
- Computational time: 32CPUs: ~ 6,8 h

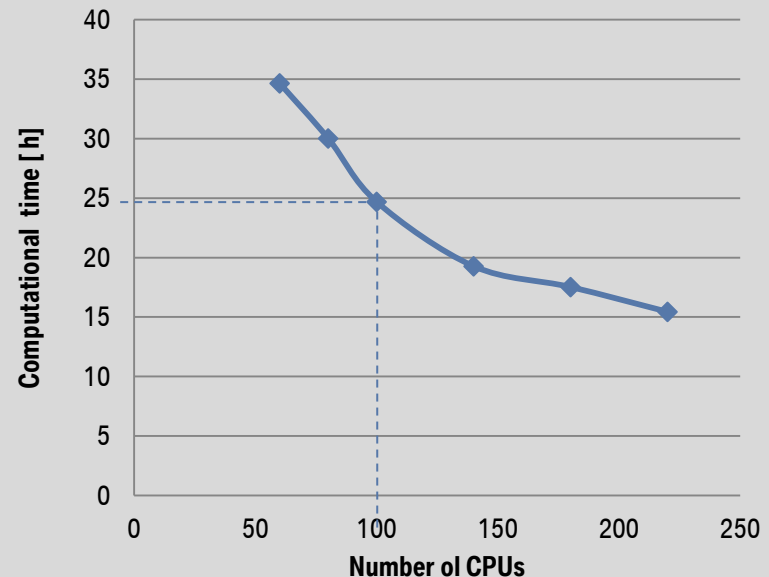
LIMITING FACTORS FOR THE CURRENT SIMULATION SYSTEMS. EXAMPLES FROM ENGINEERING PROCESS.

Simulation of large models – daily engineering.

- 2 Series Gran Tourer –Side frame: Simulation with geom. drawbeads (Validation).



- Number of elements: $\sim 7.500.000$
- Element size: 0,7 mm
- Computational time: 100 CPUs: ~ 24 h



⇒ **Simulation results for large forming models in the daily engineering process are available within 24h.**

⇒ **Software / Solver should continuously be optimized for available hardware.**

TABLE OF CONTENTS.

- Introduction.
- Forming simulation at BMW – State of the art.
- Limiting factors for the current simulation systems.
- Summary of current use of LS-DYNA.
- Future challenges.



SUMMARY OF CURRENT USE OF LS-DYNA.

- Usage of LS-DYNA solver in cold forming and springback compensation in the daily tool-engineering is state of the art at BMW.
- Additional production processes are considered in the simulation models and these models are optimized continuously.
 - Simulation of indirect press hardening.
 - Draping of carbon fiber reinforced plastics.
 - Trimming simulation.
 - Etc.
- Limits of the simulation systems are permanently analyzed and if necessary, the simulation systems' capabilities are enhanced.

TABLE OF CONTENTS.

- Introduction.
- Forming simulation at BMW – State of the art.
- Limiting factors for the current simulation systems.
- Summary of current use of LS-DYNA.
- Future challenges.



FUTURE CHALLENGES. PRODUCTION REQUIREMENTS.

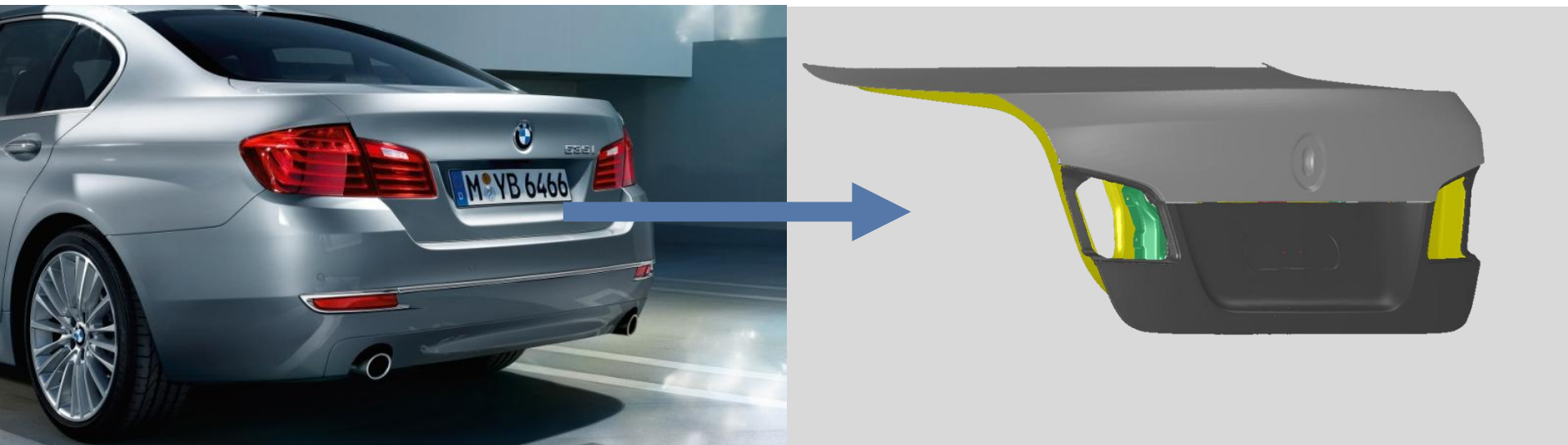
- In the further production process, single parts are joined to the car body.
- The state of strain and stress of single parts is influenced by the joining operations which affects the springback of the entire assembly.
- Simulating the assembly operation is important for the prediction of the final geometry of the assembly.



FUTURE CHALLENGES. SIMULATION OF ASSEMBLIES.

Example of an assembly simulation - 5 Series Sedan trunk lid.

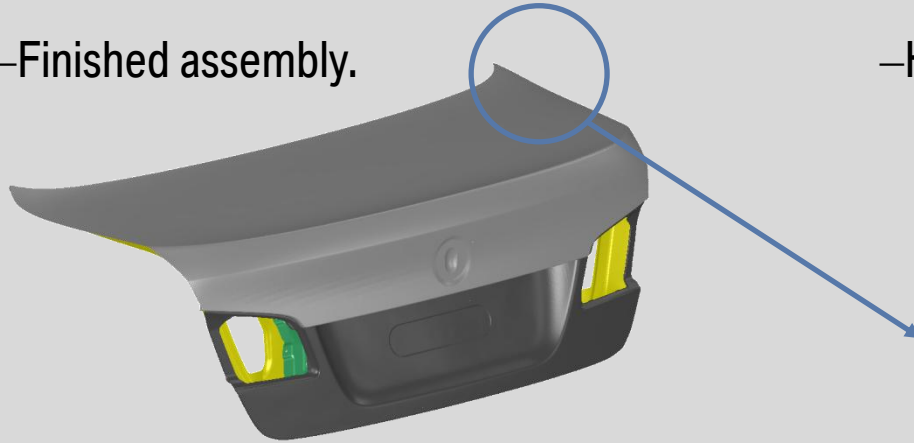
- Insertion of single parts.
- Modeling of spotwelds, weldlines and adhesives.
- Hemming simulation of the outer parts.



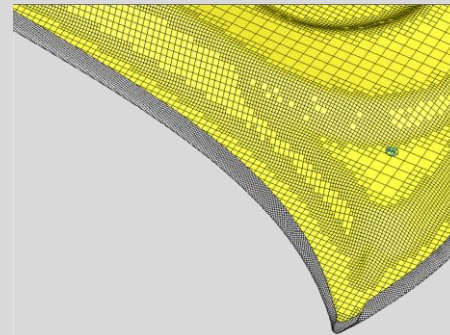
FUTURE CHALLENGES. SIMULATION OF ASSEMBLIES.

Example of an assembly simulation - 5 Series Sedan trunk lid.

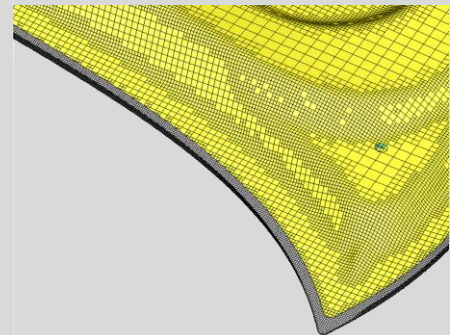
–Finished assembly.



–Hemming simulation at the labeled detail.



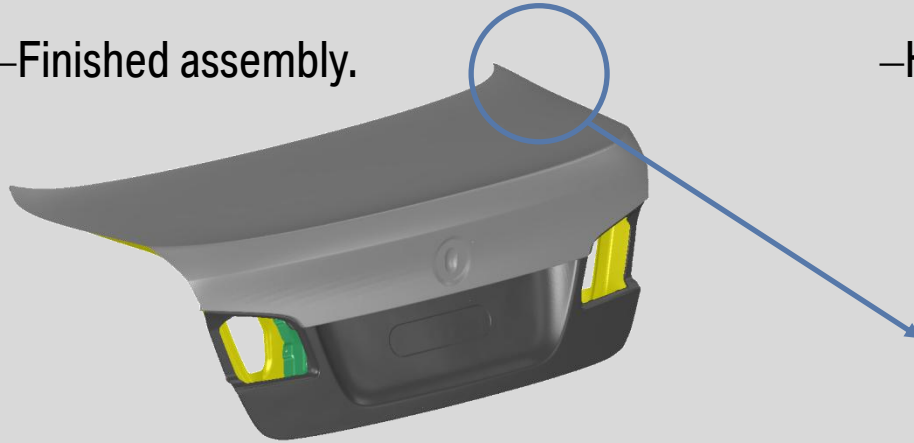
–Single parts with spotwelds.



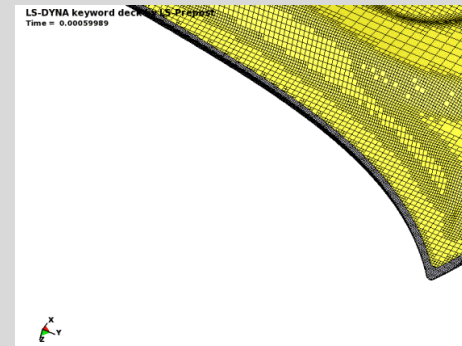
FUTURE CHALLENGES. SIMULATION OF ASSEMBLIES.

Example of an assembly simulation - 5 Series Sedan trunk lid.

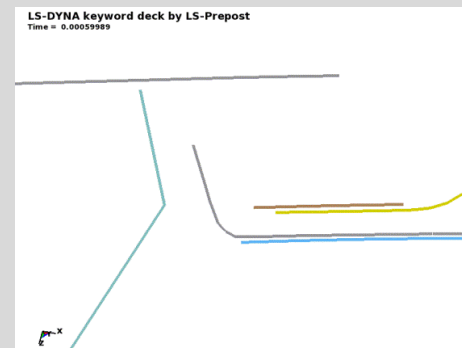
–Finished assembly.



–Hemming simulation at the labeled detail.



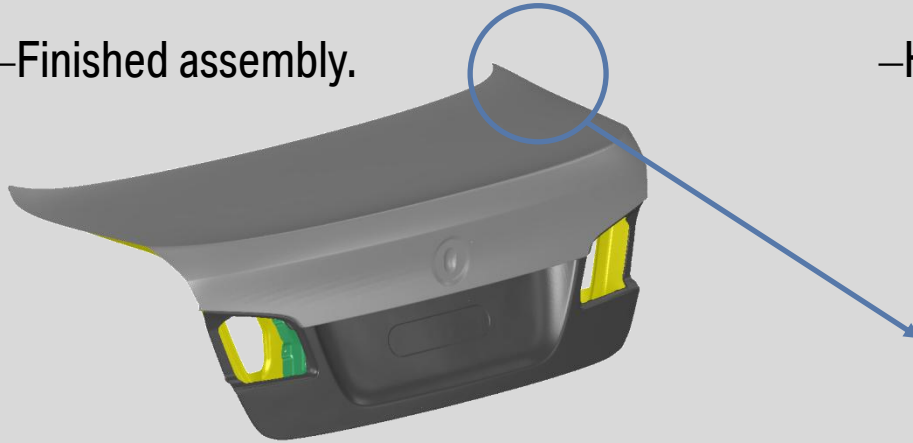
–Single parts with spotwelds.



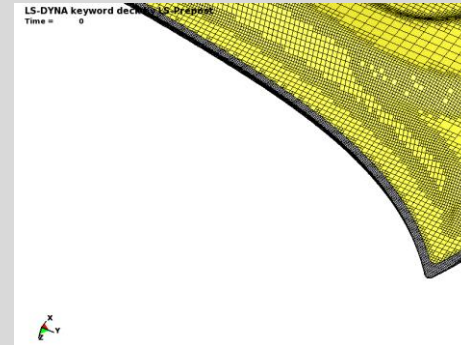
FUTURE CHALLENGES. SIMULATION OF ASSEMBLIES.

Example of an assembly simulation - 5 Series Sedan trunk lid.

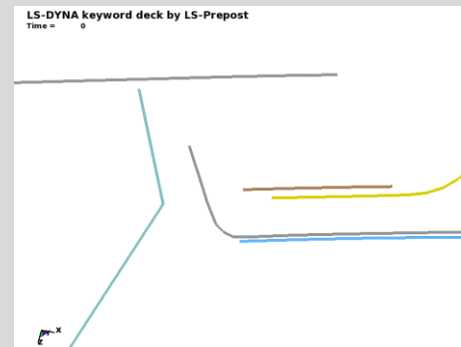
–Finished assembly.



–Hemming simulation at the labeled detail.



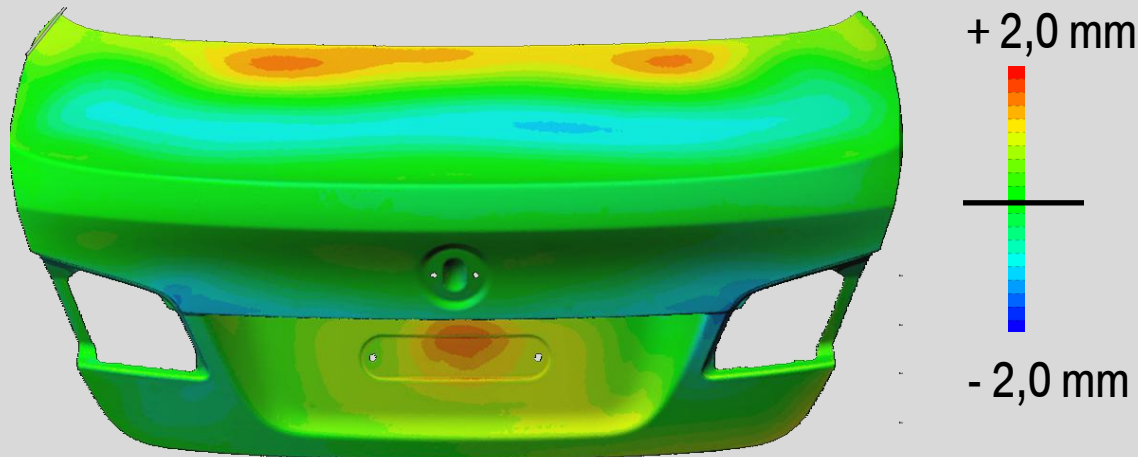
–Single parts with spotwelds.



FUTURE CHALLENGES. SIMULATION OF ASSEMBLIES.

Example of an assembly simulation - 5 Series Sedan trunk lid.

- Springback simulation of prototype assembly.
- Diagram: Deviation of simulation and target-geometry.



⇒ **Simulation results enable adjustments and optimization of the assembly process.**

THANK YOU VERY MUCH FOR YOUR ATTENTION.



DER NEUE BMW 7er.